

## CHAPTER 10

# CHIMNEYS AND FIREPLACES

### SECTION R1001 MASONRY CHIMNEYS

*Pursuant to ORS 215.730, if a single-family dwelling located on forest-zoned lands has a chimney or chimneys, each chimney shall have a spark arrestor.*

**R1001.1 General.** Masonry chimneys shall be constructed, anchored, supported and reinforced as required in this chapter and the applicable provisions of Chapters 3, 4 and 6. In Seismic Design Categories D<sub>1</sub> and D<sub>2</sub>, masonry and concrete chimneys shall be reinforced and anchored as detailed in Section R1003 for chimneys serving fireplaces. In Seismic Design Category A, B or C, reinforcement and seismic anchorage is not required. Chimneys shall be structurally sound, durable, smoke-tight and capable of conveying flue gases to the exterior safely.

**R1001.1.1 Support.** Masonry chimneys shall be supported on foundations of solid masonry or concrete at least 12 inches (305 mm) thick and at least 6 inches (152 mm) beyond each side of the exterior dimensions of the chimney. Footings shall be founded on natural, undisturbed earth below the frostline. In areas not subject to freezing, footings shall be located a minimum of 12 inches (305 mm) below finished grade.

**R1001.2 Corbeling.** Masonry chimneys shall not be corbeled more than one-half of the chimney's wall thickness from a wall or foundation, nor shall a chimney be corbeled from a wall or foundation that is less than 12 inches (305 mm) in thickness unless it projects equally on each side of the wall, except that on the second story of a two-story dwelling, corbeling of chimneys on the exterior of the enclosing walls may equal the wall thickness. The projection of a single course shall not exceed one-half the unit height or one-third of the unit bed depth, whichever is less.

**R1001.3 Changes in dimension.** The chimney wall or chimney flue lining shall not change in size or shape within 6 inches (152 mm) above or below where the chimney passes through floor components, ceiling components or roof components.

**R1001.4 Offsets.** Where a masonry chimney is constructed with a fireclay flue liner surrounded by one wythe of masonry, the maximum offset shall be such that the centerline of the flue above the offset does not extend beyond the center of the chimney wall below the offset. Where the chimney offset is supported by masonry below the offset in an approved manner, the maximum offset limitations shall not apply. Each individual corbeled masonry course of the offset shall not exceed the projection limitations specified in Section R1001.2.

**R1001.5 Additional load.** Chimneys shall not support loads other than their own weight unless they are designed and constructed to support the additional load. Masonry chimneys shall be permitted to be constructed as part of the masonry walls or reinforced concrete walls of the building.

**R1001.6 Termination.** Chimneys shall extend at least 2 feet (610 mm) higher than any portion of a building within 10 feet

(1048 mm), but shall not be less than 3 feet (914 mm) above the highest point where the chimney passes through the roof.

**R1001.6.1 Spark arrestors.** Where a spark arrestor is installed on a masonry chimney, the spark arrestor shall meet all of the following requirements:

1. The net free area of the arrestor shall not be less than four times the net free area of the outlet of the chimney flue it serves.
2. The arrestor screen shall have heat and corrosion resistance equivalent to 19-gage galvanized steel or 24-gage stainless steel.
3. Openings shall not permit the passage of spheres having a diameter greater than  $\frac{1}{2}$  inch (12.7 mm) nor block the passage of spheres having a diameter less than  $\frac{3}{8}$  inch (9.5 mm).
4. The spark arrestor shall be accessible for cleaning and the screen or chimney cap shall be removable to allow for cleaning of the chimney flue.

**R1001.7 Wall thickness.** Masonry chimney walls shall be constructed of solid masonry units or hollow masonry units grouted solid with not less than a 4-inch (102 mm) nominal thickness.

**R1001.8 Flue lining (material).** Masonry chimneys shall be lined. The lining material shall be appropriate for the type of appliance connected, according to the terms of the appliance listing and manufacturer's instructions.

**R1001.8.1 Residential-type appliances (general).** Flue lining systems shall comply with one of the following:

1. Clay flue lining complying with the requirements of ASTM C 315 or equivalent.
2. Listed chimney lining systems complying with UL 1777.
3. Factory-built chimneys or chimney units listed for installation within masonry chimneys.
4. Other approved materials that will resist corrosion, erosion, softening, or cracking from flue gases and condensate at temperatures up to 1,800°F (982°C).

**R1001.8.2 Flue linings for specific appliances.** Flue linings other than these covered in Section R1001.8.1, intended for use with specific types of appliances, shall comply with Sections R1001.8.3 through R1001.8.6.

**R1001.8.3 Gas appliances.** Flue lining systems for gas appliances shall be in accordance with Chapter 24.

**R1001.8.4 Pellet fuel-burning appliances.** Flue lining and vent systems for use in masonry chimneys with pellet fuel-burning appliances shall be limited to the following:

1. Flue lining systems complying with Section R1001.8.1.
2. Pellet vents listed for installation within masonry chimneys. (See Section R1001.8.6 for marking.)

## CHIMNEYS AND FIREPLACES

**R1001.8.5 Oil-fired appliances approved for use with Type L vent.** Flue lining and vent systems for use in masonry chimneys with oil-fired appliances approved for use with Type L vent shall be limited to the following:

1. Flue lining systems complying with Section R1001.8.1.
2. Listed chimney liners complying with UL 641. (See Section R1001.8.6 for marking.)

**R1001.8.6 Notice of usage.** When a flue is relined with a material not complying with Section R1001.8.1, the chimney shall be plainly and permanently identified by a label attached to a wall, ceiling or other conspicuous location adjacent to where the connector enters the chimney. The label shall include the following message or equivalent language:

THIS CHIMNEY FLUE IS FOR USE ONLY WITH [TYPE OR CATEGORY OF APPLIANCE] APPLIANCES THAT BURN [TYPE OF FUEL]. DO NOT CONNECT OTHER TYPES OF APPLIANCES.

**R1001.9 Flue lining (installation).** Flue liners shall be installed in accordance with ASTM C 1283 and extend from a point not less than 8 inches (203 mm) below the lowest inlet or, in the case of fireplaces, from the top of the smoke chamber to a point above the enclosing walls. The lining shall be carried up vertically, with a maximum slope no greater than 30 degrees from the vertical.

Fireclay flue liners shall be laid in medium duty refractory mortar conforming to ASTM C 199 with tight mortar joints left smooth on the inside and installed to maintain an air space or insulation not to exceed the thickness of the flue liner separating the flue liners from the interior face of the chimney masonry walls. Flue lining shall be supported on all sides. Only enough mortar shall be placed to make the joint and hold the liners in position.

**R1001.9.1 Listed materials.** Listed materials used as flue linings shall be installed in accordance with the terms of their listings and manufacturer's instructions.

**R1001.9.2 Space around lining.** The space surrounding a chimney lining system or vent installed within a masonry chimney shall not be used to vent any other appliance.

**Exception:** This shall not prevent the installation of a separate flue lining in accordance with the manufacturer's installation instructions.

**R1001.10 Multiple flues.** When two or more flues are located in the same chimney, masonry wythes shall be built between adjacent flue linings. The masonry wythes shall be at least 4 inches (102 mm) thick and bonded into the walls of the chimney.

**Exception:** When venting only one appliance, two flues may adjoin each other in the same chimney with only the flue lining separation between them. The joints of the adjacent flue linings shall be staggered at least 4 inches (102 mm).

**R1001.11 Flue area (appliance).** Chimney flues shall not be smaller in area than that of the area of the connector from the appliance [see Tables R1001.11(1) and R1001.11(2)]. The siz-

ing of a chimney flue to which multiple appliance venting systems are connected shall be in accordance with Section M1805.3.

**TABLE R1001.11(1)  
NET CROSS-SECTIONAL AREA OF ROUND FLUE SIZES<sup>a</sup>**

| FLUE SIZE, INSIDE DIAMETER (inches) | CROSS-SECTIONAL AREA (square inches) |
|-------------------------------------|--------------------------------------|
| 6                                   | 28                                   |
| 7                                   | 38                                   |
| 8                                   | 50                                   |
| 10                                  | 78                                   |
| 10 <sup>3</sup> / <sub>4</sub>      | 90                                   |
| 12                                  | 113                                  |
| 15                                  | 176                                  |
| 18                                  | 254                                  |

For SI: 1 inch = 25.4 mm, 1 square inch = 645.16 mm<sup>2</sup>.

a. Flue sizes are based on ASTM C 315.

**TABLE R1001.11(2)  
NET CROSS-SECTIONAL AREA OF SQUARE AND RECTANGULAR FLUE SIZES<sup>a</sup>**

| FLUE SIZE, OUTSIDE DIMENSIONS (inches)                          | CROSS-SECTIONAL AREA (square inches) |
|---|--------------------------------------|
| 4 <sup>1</sup> / <sub>2</sub> × 13                              | 34                                   |
| 7 <sup>1</sup> / <sub>2</sub> × 7 <sup>1</sup> / <sub>2</sub>   | 37                                   |
| 8 <sup>1</sup> / <sub>2</sub> × 8 <sup>1</sup> / <sub>2</sub>   | 47                                   |
| 7 <sup>1</sup> / <sub>2</sub> × 11 <sup>1</sup> / <sub>2</sub>  | 58                                   |
| 8 <sup>1</sup> / <sub>2</sub> × 13                              | 74                                   |
| 7 <sup>1</sup> / <sub>2</sub> × 15 <sup>1</sup> / <sub>2</sub>  | 82                                   |
| 11 <sup>1</sup> / <sub>2</sub> × 11 <sup>1</sup> / <sub>2</sub> | 91                                   |
| 8 <sup>1</sup> / <sub>2</sub> × 17 <sup>1</sup> / <sub>2</sub>  | 101                                  |
| 13 × 13   | 122                                  |
| 11 <sup>1</sup> / <sub>2</sub> × 15 <sup>1</sup> / <sub>2</sub> | 124                                  |
| 13 × 17 <sup>1</sup> / <sub>2</sub>                             | 165                                  |
| 15 <sup>1</sup> / <sub>2</sub> × 15 <sup>1</sup> / <sub>2</sub> | 168                                  |
| 15 <sup>1</sup> / <sub>2</sub> × 19 <sup>1</sup> / <sub>2</sub> | 214                                  |
| 17 <sup>1</sup> / <sub>2</sub> × 17 <sup>1</sup> / <sub>2</sub> | 226                                  |
| 19 <sup>1</sup> / <sub>2</sub> × 19 <sup>1</sup> / <sub>2</sub> | 269                                  |
| 20 × 20   | 286                                  |

For SI: 1 inch = 25.4 mm, 1 square inch = 645.16 mm<sup>2</sup>.

a. Flue sizes are based on ASTM C 315.

**R1001.12 Flue area (masonry fireplace).** Flue sizing for chimneys serving fireplaces shall be in accordance with Section R1001.12.1 or Section R1001.12.2.

**R1001.12.1 Option 1.** Round chimney flues shall have a minimum net cross-sectional area of at least <sup>1</sup>/<sub>12</sub> of the fireplace opening. Square chimney flues shall have a minimum net cross-sectional area of <sup>1</sup>/<sub>10</sub> of the fireplace opening. Rectangular chimney flues with an aspect ratio less than 2 to 1

CHIMNEYS AND FIREPLACES

shall have a minimum net cross-sectional area of  $\frac{1}{10}$  of the fireplace opening. Rectangular chimney flues with an aspect ratio of 2 to 1 or more shall have a minimum net cross-sectional area of  $\frac{1}{8}$  of the fireplace opening.

**R1001.12.2 Option 2.** The minimum net cross-sectional area of the chimney flue shall be determined in accordance with Figure R1001.12.2. A flue size providing at least the equivalent net cross-sectional area shall be used. Cross-sectional areas of clay flue linings are provided in Tables R1001.11(1) and R1001.11(2) or as provided by the manufacturer or as measured in the field. The height of the chimney shall be measured from the firebox floor to the top of the chimney flue.

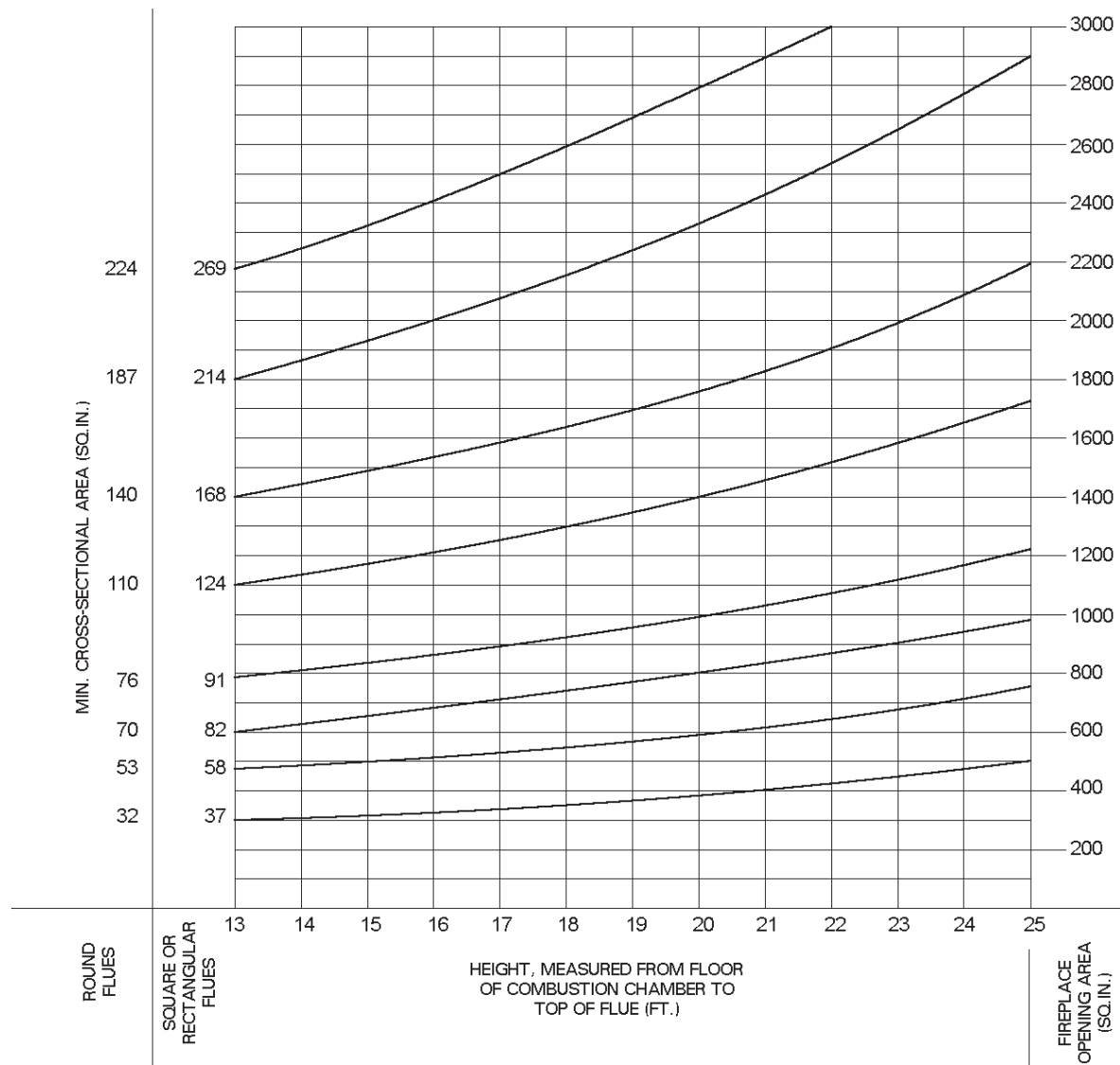
**R1001.13 Inlet.** Inlets to masonry chimneys shall enter from the side. Inlets shall have a thimble of fireclay, rigid refractory material or metal that will prevent the connector from

pulling out of the inlet or from extending beyond the wall of the liner.

**R1001.14 Masonry chimney cleanout openings.** Cleanout openings shall be provided within 6 inches (152 mm) of the base of each flue within every masonry chimney. The upper edge of the cleanout shall be located at least 6 inches (152 mm) below the lowest chimney inlet opening. The height of the opening shall be at least 6 inches (152 mm). The cleanout shall be provided with a noncombustible cover.

**Exception:** Chimney flues serving masonry fireplaces where cleaning is possible through the fireplace opening.

**R1001.15 Chimney clearances.** Any portion of a masonry chimney located in the interior of the building or within the exterior wall of the building shall have a minimum air space clearance to combustibles of 2 inches (51 mm). Chimneys located



For SI: 1 foot = 304.8 mm, 1 square inch = 645.16 mm<sup>2</sup>.

FIGURE R1001.12.2  
FLUE SIZES FOR MASONRY CHIMNEYS

## CHIMNEYS AND FIREPLACES

entirely outside the exterior walls of the building, including chimneys that pass through the soffit or cornice, shall have a minimum air space clearance of 1 inch (25.4 mm). The air space shall not be filled, except to provide fire blocking in accordance with Section R1001.16.

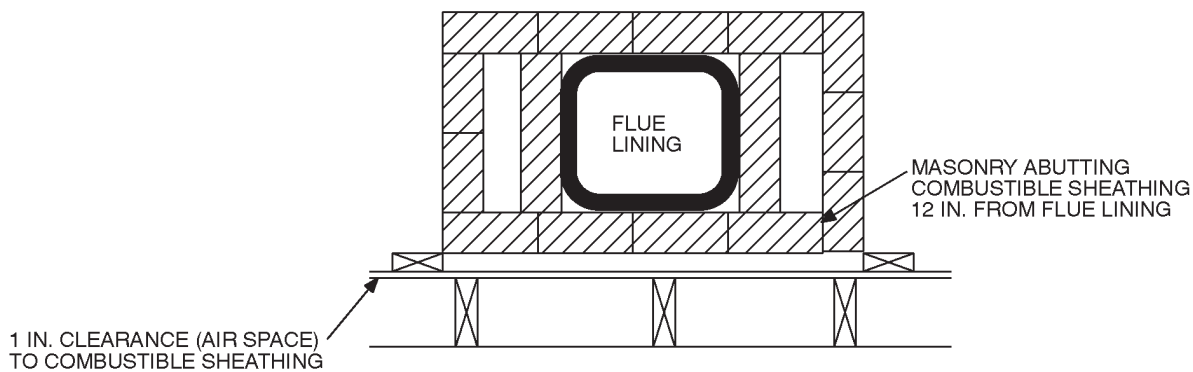
### Exceptions:

1. Masonry chimneys equipped with a chimney lining system listed and labeled for use in chimneys in contact with combustibles in accordance with UL 1777 and installed in accordance with the manufacturer's installation instructions are permitted to have combustible material in contact with their exterior surfaces.
2. When masonry chimneys are constructed as part of masonry or concrete walls, combustible materials shall not be in contact with the masonry or concrete wall less than 12 inches (306 mm) from the inside surface of the nearest flue lining.
3. Exposed combustible trim and the edges of sheathing materials, such as wood siding and flooring, shall be permitted to abut the masonry chimney side walls, in

accordance with Figure R1001.15 provided such combustible trim or sheathing is a minimum of 12 inches (306 mm) from the inside surface of the nearest flue lining. Combustible material and trim shall not overlap the corners of the chimney by more than 1 inch (25.4 mm).

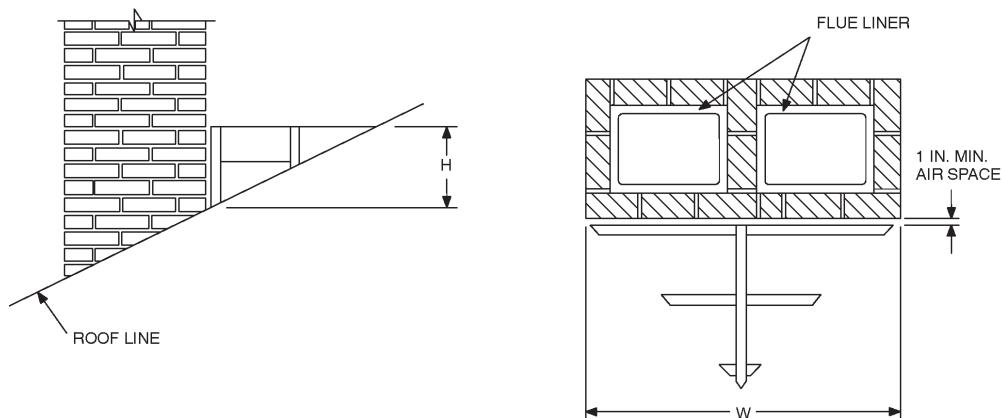
**R1001.16 Chimney fireblocking.** All spaces between chimneys and floors and ceilings through which chimneys pass shall be fireblocked with noncombustible material securely fastened in place. The fireblocking of spaces between chimneys and wood joists, beams or headers shall be to a depth of 1 inch (25.4 mm) and shall only be placed on strips of metal or metal lath laid across the spaces between combustible material and the chimney.

**R1001.17 Chimney crickets.** Chimneys shall be provided with crickets when the dimension parallel to the ridgeline is greater than 30 inches (762 mm) and does not intersect the ridgeline. The intersection of the cricket and the chimney shall be flashed and counterflashed in the same manner as normal roof-chimney intersections. Crickets shall be constructed in compliance with Figure R1001.17 and Table R1001.17.



For SI: 1 inch = 25.4 mm.

**FIGURE R1001.15**  
**CLEARANCE FROM COMBUSTIBLES**



For SI: 1 inch = 25.4 mm.

**FIGURE R1001.17**  
**CHIMNEY CRICKET**

**TABLE R1001.17  
 CRICKET DIMENSIONS**

| ROOF SLOPE | H                  |
|------------|--------------------|
| 12 - 12    | $\frac{1}{2}$ of W |
| 8 - 12     | $\frac{1}{3}$ of W |
| 6 - 12     | $\frac{1}{4}$ of W |
| 4 - 12     | $\frac{1}{6}$ of W |
| 3 - 12     | $\frac{1}{8}$ of W |

**SECTION R1002  
 FACTORY-BUILT CHIMNEYS**

**R1002.1 Listing.** Factory-built chimneys shall be listed and labeled and shall be installed and terminated in accordance with the manufacturer's installation instructions.

**R1002.2 Decorative shrouds.** Decorative shrouds shall not be installed at the termination of factory-built chimneys except where such shrouds are listed and labeled for use with the specific factory-built chimney system and installed in accordance with the manufacturer's installation instructions.

**R1002.3 Solid fuel appliances.** Factory-built chimneys for use with solid fuel-burning appliances shall comply with the Type HT requirements of UL 103.

**Exception:** Chimneys for use with fireplace stoves listed only to UL 737 shall comply with the requirements of UL 103.

**R1002.4 Factory-built fireplaces.** Chimneys for use with factory-built fireplaces shall comply with the requirements of UL 127.

**R1002.5 Support.** Where factory-built chimneys are supported by structural members, such as joists and rafters, such members shall be designed to support the additional load.

**R1002.6 Medium-heat appliances.** Factory-built chimneys for medium-heat appliances producing flue gases having a temperature above 1,000°F (538°C), measured at the entrance to the chimney shall comply with UL 959.

**SECTION R1003  
 MASONRY FIREPLACES**

**R1003.1 General.** Masonry fireplaces shall be constructed in accordance with this section and the applicable provisions of Chapters 3 and 4.

**R1003.2 Footings and foundations.** Footings for masonry fireplaces and their chimneys shall be constructed of concrete or solid masonry at least 12 inches (305 mm) thick and shall extend at least 6 inches (152 mm) beyond the face of the fireplace or foundation wall on all sides. Footings shall be founded on natural, undisturbed earth or engineered fill below frost depth.

In areas not subjected to freezing, footings shall be at least 12 inches (305 mm) below finished grade.

**R1003.2.1 Ash dump cleanout.** Cleanout openings located within foundation walls below fireboxes, when provided, shall be equipped with ferrous metal or masonry doors and frames constructed to remain tightly closed except when in use. Cleanouts shall be accessible and located so that ash removal will not create a hazard to combustible materials.

**R1003.3 Seismic reinforcing.** Masonry or concrete chimneys in Seismic Design Categories D<sub>1</sub> and D<sub>2</sub> shall be reinforced. Reinforcing shall conform to the requirements set forth in Table R1003.1 and Section R609, Grouted Masonry.

**R1003.3.1 Vertical reinforcing.** For chimneys up to 40 inches (1016 mm) wide, four No. 4 continuous vertical bars shall be placed between wythes of solid masonry or within the cells of hollow unit masonry and grouted in accordance with Section R609. Grout shall be prevented from bonding with the flue liner so that the flue liner is free to move with thermal expansion. For chimneys greater than 40 inches (1016 mm) wide, two additional No. 4 vertical bars shall be provided for each additional flue incorporated in the chimney or for each additional 40 inches (1016 mm) in width or fraction thereof.

**R1003.3.2 Horizontal reinforcing.** Vertical reinforcement shall be placed within  $\frac{1}{4}$ -inch (6.4 mm) ties, or other reinforcing of equivalent net cross-sectional area, placed in the bed joints according to Section R607 at a minimum of every 18 inches (457 mm) of vertical height. Two such ties shall be provided at each bend in the vertical bars.

**R1003.4 Seismic anchorage.** Masonry and concrete chimneys in Seismic Design Categories D<sub>1</sub> and D<sub>2</sub> shall be anchored at each floor, ceiling or roof line more than 6 feet (1829 mm) above grade, except where constructed completely within the exterior walls. Anchorage shall conform to the requirements of Section R1003.4.1.

**R1003.4.1 Anchorage.** Two  $\frac{3}{16}$ -inch by 1-inch (4.8 mm by 25.4 mm) straps shall be embedded a minimum of 12 inches (305 mm) into the chimney. Straps shall be hooked around the outer bars and extend 6 inches (152 mm) beyond the bend. Each strap shall be fastened to a minimum of four floor ceiling or floor joists or rafters with two  $\frac{1}{2}$ -inch (12.7 mm) bolts.

**R1003.5 Firebox walls.** Masonry fireboxes shall be constructed of solid masonry units, hollow masonry units grouted solid, stone or concrete. When a lining of firebrick at least 2 inches (51 mm) in thickness or other approved lining is provided, the minimum thickness of back and side walls shall each be 8 inches (203 mm) of solid masonry, including the lining. The width of joints between firebricks shall not be greater than  $\frac{1}{4}$  inch (6.4 mm). When no lining is provided, the total minimum thickness of back and side walls shall be 10 inches (254 mm) of solid masonry. Firebrick shall conform to ASTM C 27 or C 1261 and shall be laid with medium duty refractory mortar conforming to ASTM C 199.

**CHIMNEYS AND FIREPLACES**

**TABLE R1003.1  
 SUMMARY OF REQUIREMENTS FOR MASONRY FIREPLACES AND CHIMNEYS**

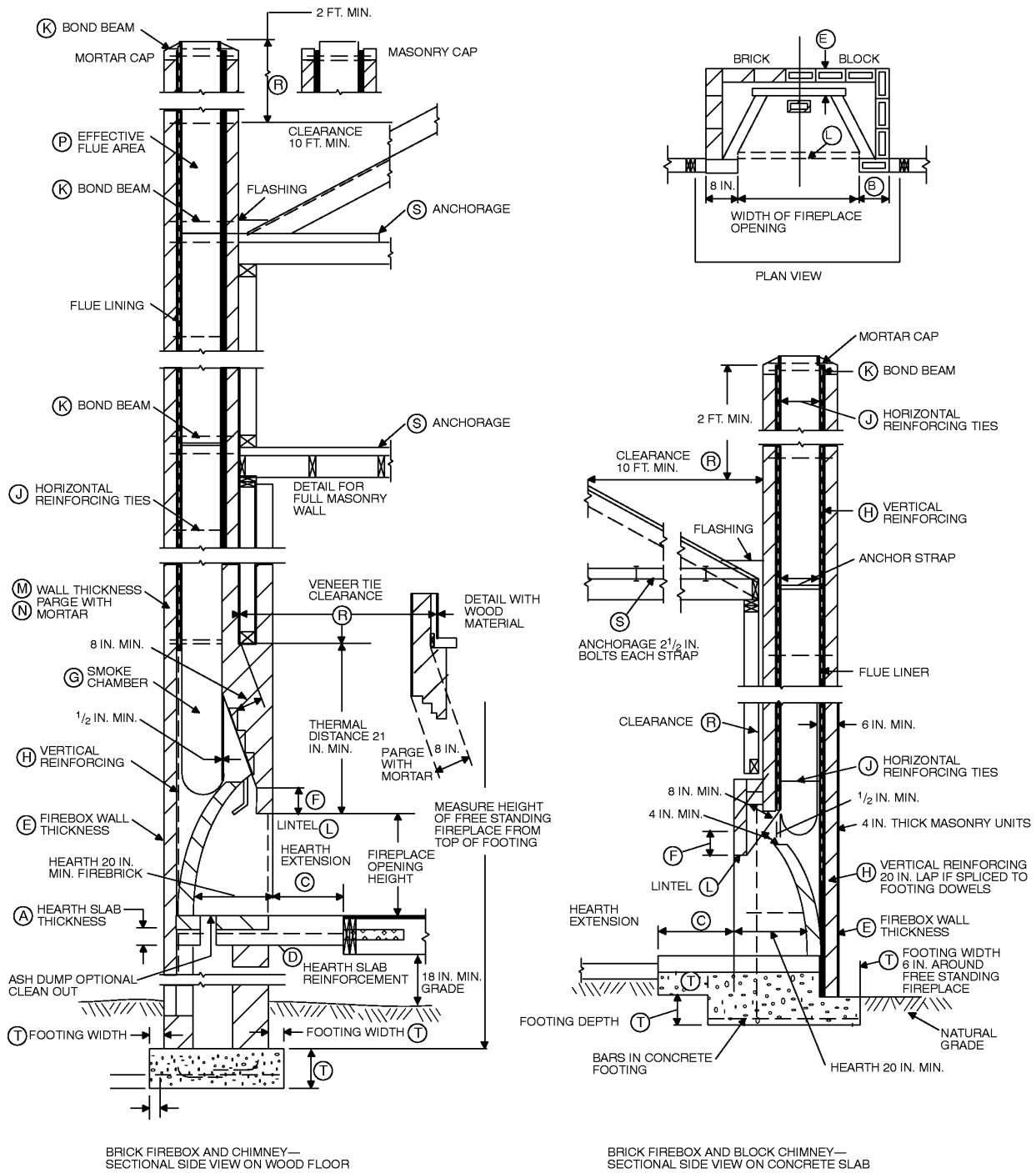
| ITEM  | LETTER <sup>a</sup> | REQUIREMENTS   |
|---|---------------------|--|
| Hearth slab thickness   | A                   | 4"   |
| Hearth extension<br>(each side of opening)  | B                   | 8" fireplace opening < 6 square foot<br>12" fireplace opening ≥ 6 square foot  |
| Hearth extension<br>(front of opening)  | C                   | 16" fireplace opening < 6 square foot<br>20" fireplace opening ≥ 6 square foot   |
| Hearth slab reinforcing   | D                   | Reinforced to carry its own weight and all imposed loads.  |
| Thickness of wall of firebox  | E                   | 10" solid brick or 8" where a firebrick lining is used. Joints in firebrick 1/4" maximum   |
| Distance from top of opening to throat  | F                   | 8"   |
| Smoke chamber wall thickness<br>Unlined walls   | G                   | 6"<br>8"   |
| Chimney<br>Vertical reinforcing <sup>b</sup>  | H                   | Four No. 4 full-length bars for chimney up to 40" wide. Add two No. 4 bars for each additional 40" or fraction of width or each additional flue. |
| Horizontal reinforcing  | J                   | 1/4" ties at 18" and two ties at each bend in vertical steel.  |
| Bond beams  | K                   | No specified requirements  |
| Fireplace lintel  | L                   | Noncombustible material.   |
| Chimney walls with flue lining  | M                   | Solid masonry units or hollow masonry units grouted solid with at least 4 inch nominal thickness.  |
| Walls with unlined flue   | N                   | 8" solid masonry.  |
| Distances between adjacent flues  | N                   | See Section R1001.10.  |
| Effective flue area (based on area of fireplace opening)                                  | P                   | See Section R1001.12.  |
| Clearances:<br>Combustible material<br>Mantel and trim<br>Above roof                      | R                   | See Sections R1001.15 and R1003.12.<br>See Section R1001.13.<br>3' at roofline and 2' at 10'.  |
| Anchorage <sup>b</sup><br>Strap<br>Number<br>Embedment into chimney<br>Fasten to<br>Bolts | S                   | 3/16" × 1"<br>Two<br>12" hooked around outer bar with 6" extension<br>4 joists<br>Two 1/2" diameter.   |
| Footing<br>Thickness<br>Width   | T                   | 12" min.<br>6" each side of fireplace wall.  |

For SI: 1 inch = 25.4 mm, 1 foot = 304.8 mm, 1 square foot = 0.0929 m<sup>2</sup>.

**NOTE:** This table provides a summary of major requirements for the construction of masonry chimneys and fireplaces. Letter references are to Figure R1003.1, which shows examples of typical construction. This table does not cover all requirements, nor does it cover all aspects of the indicated requirements. For the actual mandatory requirements of the code, see the indicated section of text.

- a. The letters refer to Figure R1003.1.
- b. Not required in Seismic Design Category A, B or C.

CHIMNEYS AND FIREPLACES



For SI: 1 inch = 25.4 mm, 1 foot = 304.8 mm.

**FIGURE R1003.1**  
**FIREPLACE AND CHIMNEY DETAILS**

## CHIMNEYS AND FIREPLACES

**R1003.5.1 Steel fireplace units.** Steel fireplace units are permitted to be installed with solid masonry to form a masonry fireplace when installed either according to the requirements of their listing or according to the requirements of this section. Steel fireplace units incorporating a steel firebox lining, shall be constructed with steel not less than  $\frac{1}{4}$  inch (6.4 mm) in thickness, and an air circulating chamber which is ducted to the interior of the building. The firebox lining shall be encased with solid masonry to provide a total thickness at the back and sides of not less than 8 inches (203 mm), of which not less than 4 inches (102 mm) shall be of solid masonry or concrete. Circulating airducts employed with steel fireplace units shall be constructed of metal or masonry.

**R1003.6 Firebox dimensions.** The firebox of a concrete or masonry fireplace shall have a minimum depth of 20 inches (508 mm). The throat shall not be less than 8 inches (203 mm) above the fireplace opening. The throat opening shall not be less than 4 inches (102 mm) in depth. The cross-sectional area of the passageway above the firebox, including the throat, damper and smoke chamber, shall not be less than the cross-sectional area of the flue.

**Exception:** Rumford fireplaces shall be permitted provided that the depth of the fireplace is at least 12 inches (305 mm) and at least one-third of the width of the fireplace opening, that the throat is at least 12 inches (305 mm) above the lintel and is at least  $\frac{1}{20}$  the cross-sectional area of the fireplace opening.

**R1003.7 Lintel and throat.** Masonry over a fireplace opening shall be supported by a lintel of noncombustible material. The minimum required bearing length on each end of the fireplace opening shall be 4 inches (102 mm). The fireplace throat or damper shall be located a minimum of 8 inches (203 mm) above the lintel.

**R1003.7.1 Damper.** Masonry fireplaces shall be equipped with a ferrous metal damper located at least 8 inches (203 mm) above the top of the fireplace opening. Dampers shall be installed in the fireplace or the chimney venting the fireplace, and shall be operable from the room containing the fireplace.

**R1003.8 Smoke chamber.** Smoke chamber walls shall be constructed of solid masonry units, hollow masonry units grouted solid, stone or concrete. Corbelling of masonry units shall not leave unit cores exposed to the inside of the smoke chamber. When a lining of firebrick at least 2 inches (51 mm) thick, or a lining of vitrified clay at least  $\frac{5}{8}$  inch (15.9 mm) thick, is provided, the total minimum thickness of front, back and side walls shall be 6 inches (152 mm) of solid masonry, including the lining. Firebrick shall conform to ASTM C 27 or C 1261 and shall be laid with medium duty refractory mortar conforming to ASTM C 199. Where no lining is provided, the total minimum thickness of front, back and side walls shall be 8 inches (203 mm) of solid masonry. When the inside surface of the smoke chamber is formed by corbeled masonry, the inside surface shall be parged smooth.

**R1003.8.1 Smoke chamber dimensions.** The inside height of the smoke chamber from the fireplace throat to the beginning of the flue shall not be greater than the inside width of

the fireplace opening. The inside surface of the smoke chamber shall not be inclined more than 45 degrees (0.39 rad) from vertical when prefabricated smoke chamber linings are used or when the smoke chamber walls are rolled or sloped rather than corbeled. When the inside surface of the smoke chamber is formed by corbeled masonry, the walls shall not be corbeled more than 30 degrees (0.26 rad) from vertical.

**R1003.9 Hearth and hearth extension.** Masonry fireplace hearths and hearth extensions shall be constructed of concrete or masonry, supported by noncombustible materials, and reinforced to carry their own weight and all imposed loads. No combustible material shall remain against the underside of hearths and hearth extensions after construction.

**R1003.9.1 Hearth thickness.** The minimum thickness of fireplace hearths shall be 4 inches (102 mm).

**R1003.9.2 Hearth extension thickness.** The minimum thickness of hearth extensions shall be 2 inches (51 mm).

**Exception:** When the bottom of the firebox opening is raised at least 8 inches (203 mm) above the top of the hearth extension, a hearth extension of not less than  $\frac{3}{8}$ -inch-thick (9.5 mm) brick, concrete, stone, tile or other approved noncombustible material is permitted.

**R1003.10 Hearth extension dimensions.** Hearth extensions shall extend at least 16 inches (406 mm) in front of and at least 8 inches (203 mm) beyond each side of the fireplace opening. Where the fireplace opening is 6 square feet (0.557 m<sup>2</sup>) or larger, the hearth extension shall extend at least 20 inches (508 mm) in front of and at least 12 inches (305 mm) beyond each side of the fireplace opening.

**R1003.11 Fireplace clearance.** All wood beams, joists, studs and other combustible material shall have a clearance of not less than 2 inches (51 mm) from the front faces and sides of masonry fireplaces and not less than 4 inches (102 mm) from the back faces of masonry fireplaces. The air space shall not be filled, except to provide fire blocking in accordance with Section R1003.13.

**Exceptions:**

1. Masonry fireplaces listed and labeled for use in contact with combustibles in accordance with UL 127 and installed in accordance with the manufacturer's installation instructions are permitted to have combustible material in contact with their exterior surfaces.
2. When masonry fireplaces are part of masonry or concrete walls, combustible materials shall not be in contact with the masonry or concrete walls less than 12 inches (305 mm) from the inside surface of the nearest firebox lining.
3. Exposed combustible trim and the edges of sheathing materials such as wood siding, flooring and drywall shall be permitted to abut the masonry fireplace side walls and hearth extension in accordance with Figure R1003.12, provided such combustible trim or sheathing is a minimum of 12 inches (305 mm) from the inside surface of the nearest firebox lining.



4. Exposed combustible mantels or trim may be placed directly on the masonry fireplace front surrounding the fireplace opening providing such combustible materials shall not be placed within 6 inches (152 mm) of a fireplace opening. Combustible material within 12 inches (306 mm) of the fireplace opening shall not project more than  $\frac{1}{8}$  inch (3.2 mm) for each 1-inch (25.4 mm) distance from such an opening.

**R1003.12 Mantel and trim.** Woodwork or other combustible materials shall not be placed within 6 inches (152 mm) of a fireplace opening. Combustible material within 12 inches (306 mm) of the fireplace opening shall not project more than  $\frac{1}{8}$  inch (3.2 mm) for each 1-inch (25.4 mm) distance from such opening.

**R1003.13 Fireplace fireblocking.** Fireplace fireblocking shall comply with the provisions of Section R602.8.

#### SECTION R1004 FACTORY-BUILT FIREPLACES

**R1004.1 General.** Factory-built fireplaces shall be listed and labeled and shall be installed in accordance with the conditions of the listing. Factory-built fireplaces shall be tested in accordance with UL 127.

**R1004.2 Hearth extensions.** Hearth extensions of approved factory-built fireplaces shall be installed in accordance with the listing of the fireplace. The hearth extension shall be readily distinguishable from the surrounding floor area.

**R1004.3 Decorative shrouds.** Decorative shrouds shall not be installed at the termination of chimneys for factory-built fireplaces except where such shrouds are listed and labeled for use with the specific factory-built fireplace system and installed in accordance with the manufacturer's installation instructions.

**R1004.4 Unvented gas log heaters.** An unvented gas log heater shall not be installed in a factory-built fireplace unless the fireplace system has been specifically tested, listed and labeled for such use in accordance with UL 127.

#### SECTION R1005 EXTERIOR AIR SUPPLY

**R1005.1 Exterior air.** Factory-built or masonry fireplaces covered in this chapter shall be equipped with an exterior air supply to assure proper fuel combustion unless the room is mechanically ventilated and controlled so that the indoor pressure is neutral or positive.

**R1005.1.1 Factory-built fireplaces.** Exterior combustion air ducts for factory-built fireplaces shall be a listed component of the fireplace and shall be installed according to the fireplace manufacturer's instructions.

**R1005.1.2 Masonry fireplaces.** Listed combustion air ducts for masonry fireplaces shall be installed according to the terms of their listing and manufacturer's instructions.

**R1005.2 Exterior air intake.** The exterior air intake shall be capable of providing all combustion air from the exterior of the dwelling or from spaces within the dwelling ventilated with outside air such as no mechanically ventilated crawl or attic spaces. The exterior air intake shall not be located within the garage or basement of the dwelling nor shall the air intake be located at an elevation higher than the firebox. The exterior air intake shall be covered with a corrosion-resistant screen of  $\frac{1}{4}$ -inch (6.4 mm) mesh.

**R1005.3 Clearance.** Unlisted combustion air ducts shall be installed with a minimum 1-inch (25.4 mm) clearance to combustibles for all parts of the duct within 5 feet (1524 mm) of the duct outlet.

**R1005.4 Passageway.** The combustion air passageway shall be a minimum of 6 square inches (3870 mm<sup>2</sup>) and not more than 55 square inches (0.035 m<sup>2</sup>), except that combustion air systems for listed fireplaces shall be constructed according to the fireplace manufacturer's instructions.

**R1005.5 Outlet.** The exterior air outlet is permitted to be located in the back or sides of the firebox chamber or within 24 inches (610 mm) of the firebox opening on or near the floor. The outlet shall be closable and designed to prevent burning material from dropping into concealed combustible spaces.

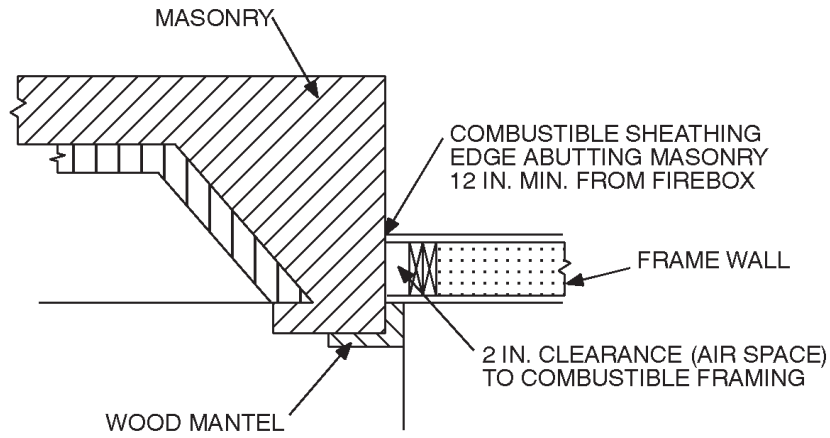
#### SECTION R1006 MASONRY HEATERS

**R1006.1 Installation.** A masonry heater shall be installed according to one of the following:

1. The terms of its listing; or
2. ASTM E 1602.

**R1006.2 Seismic reinforcing.** Masonry heaters shall be anchored and reinforced as required in this chapter. All masonry heaters shall maintain a minimum clearance of 4 inches (100 mm) to adjacent framing from the body of the masonry heater. In Seismic Design Categories A, B and C, reinforcement and seismic anchorage shall not be required. In Seismic Design Categories D<sub>1</sub>, and D<sub>2</sub>, masonry heaters shall be anchored to the foundation. Where the masonry chimney shares a common wall with the facing of the masonry heater, the chimney portion of the structure shall be reinforced in accordance with Section R1003.3.

### CHIMNEYS AND FIREPLACES



For SI: 1 inch = 25.4 mm.

**FIGURE R1003.12  
CLEARANCE FROM COMBUSTIBLES**